



Cashless Payment System

GLOBO Card

The Perfect Interaction between
Engineering and Economy



a Crane Co. company

The **Advantages** at a glance



The C-03 Chip Card Reader

Robust construction for use in automatic merchandising systems:

- Stable front plate
- Card entry slot protected by a cap
- Contacting unit underside open

Service and Maintenance:

- Snap-on fitting for easy installation and removal
- Card-entry shutter can be locked during servicing
- Modular contacting unit can be easily replaced
- Small overall dimensions, complies with EVA standard
- On-site software update possible by download

The GLOBO Card System

- High data security, approved chip card technology
- Easy to use
- Maximum flexibility due to various types of subsidies and discounts
- Hotlist for blocking specified card numbers
- Programming of all functions carried out on-site without need for extra equipment
- Also possible to revalue directly at vending machines
- Extremely cost-effective for small establishments with few vending machines

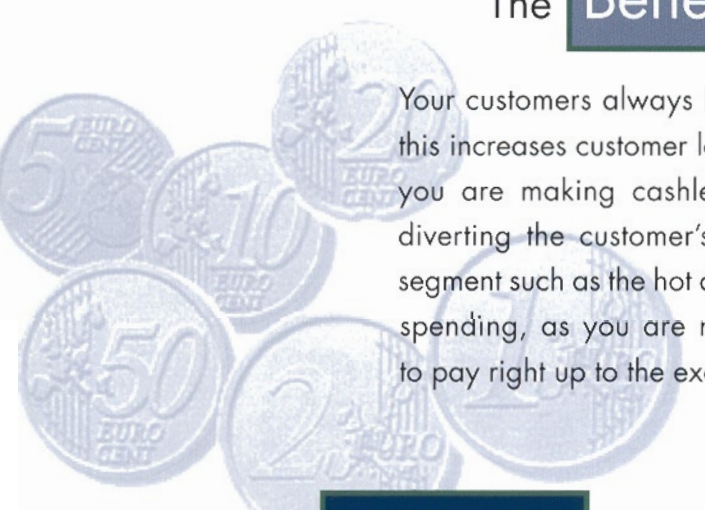
The Solid **Chip Card Reader** from Buxtehude

NRI's reputation is based on mature technology module building and innovative ideas. The C-03 chip card reader has been specially developed for use in automatic merchandising systems and takes into account the specific requirements of this sector. It is protected against vandalism and pollution and has been proved in practical use to be particularly service and user-friendly.

The Ideal **Solution** for Payment by Card

The NRI GLOBO card permits the trouble-free establishment of an internal cashless payment system for closed user groups in private companies or government buildings. An employee can, for example, now buy a cup of coffee, a bar of chocolate or a roll from a vending machine using a GLOBO card which can be topped up again on-site at a revaluation station. This can even be carried out directly at vending machines that have coin validators or change-givers.

The **Benefits** Offered by the GLOBO Card



Your customers always have the correct change to hand with the GLOBO Card – this increases customer loyalty and your turnover. By granting discounts or subsidies you are making cashless payments at vending machines more attractive and diverting the customer's attention to focus purposefully on a particular product segment such as the hot drinks market. GLOBO card offers you maximum flexibility in spending, as you are not limited by the value of the coin and you can choose to pay right up to the exact cent.

On-Site **Activities**

Service with a smile – the keywords, from a technical point of view, that best characterise NRI in regards to the advanced design and practical application of its equipment. Let us take for example the chip card reader: whether it concerns installation into automatic merchandising systems, replacing the contacting unit, updating software by download or fixing the system parameters, it all takes place directly on-site with minimal equipment. This saves time and costs.

The User Interface

The GLOBO Card chip card reader comes in three designs: the BDV, MDB and Simplex V, which can be used on current vending machine interfaces.

C-03.1224 BDV Slave for connection to the NRI change giver or converter

C-03.1227 MDB Slave for connection to the NRI G-46.4 change giver or converter or directly to the MDB automat controls

C-03.1233 Simplex V for connection to Simplex V vending machine controls

Possible to connect the G-13 coin validator onto the chip card reader

All versions also contain MAXI front plates. These front plates additionally contain a display to show the current credit balance, subsidies or status.

Great Flexibility in increasing benefits for Customers

Different types of discounts are granted upon purchase. These include, for example, the 'system-discount' which involves offering a discount on a particular vending machine. There are also 'card discounts', for example, a discount for a particular user or user-group.

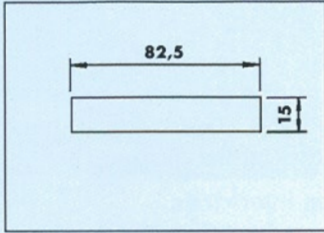
Moreover, the system offers several subsidy possibilities via a number of daily allowances or a daily or monthly discount on the amount of credit you have.

No Opportunity for Misuse

GLOBO Card chip card readers are protected against manipulation by a number of complex safety mechanisms. In addition certain card numbers can be deactivated via what is known as the 'Hotlist' and removed from the system. This is necessary if, for example, cards have been lost or were not returned by visitors or staff.

Options and Accessories

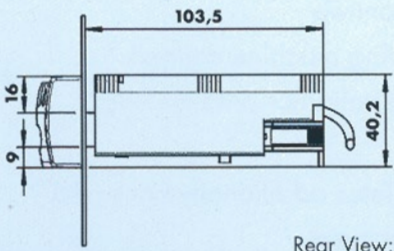
All the parts required to enable the granting of subsidies, discounts or for the Hotlist can be installed on-site onto the chip card reader with the NRI installation module. Only a minimum amount of equipment is therefore needed to make the system productive and operational. We recommend that larger companies purchase a GLOBO Card programming station for coding cards by PC.



MINI Front Plate Dimensions



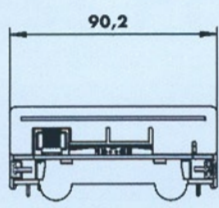
Side View:



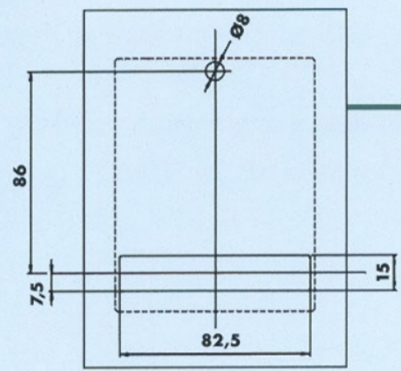
Installation aperture (Automat wall):
82.5 x 15 mm

Horizontal or vertical installation position possible,
automat wall 1.5 to 5 mm thick; shutter for installation
in the standard section is available
for banknote readers (Order No. 19305)

Rear View:



MAXI Front Plate Dimensions



MAXI Front Plate Dimensions

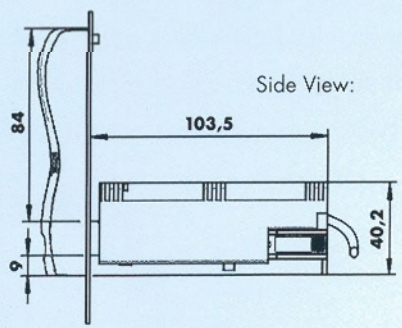


Installation aperture (Automat wall):

Square section
82.5 x 15 mm, drilled hole \varnothing 8.0 mm

Automat wall: 1.5 to 5 mm thick;
shutter for installation in the standard section is
available for banknote readers (Order No. 19306)

Side View:



Rear View:

